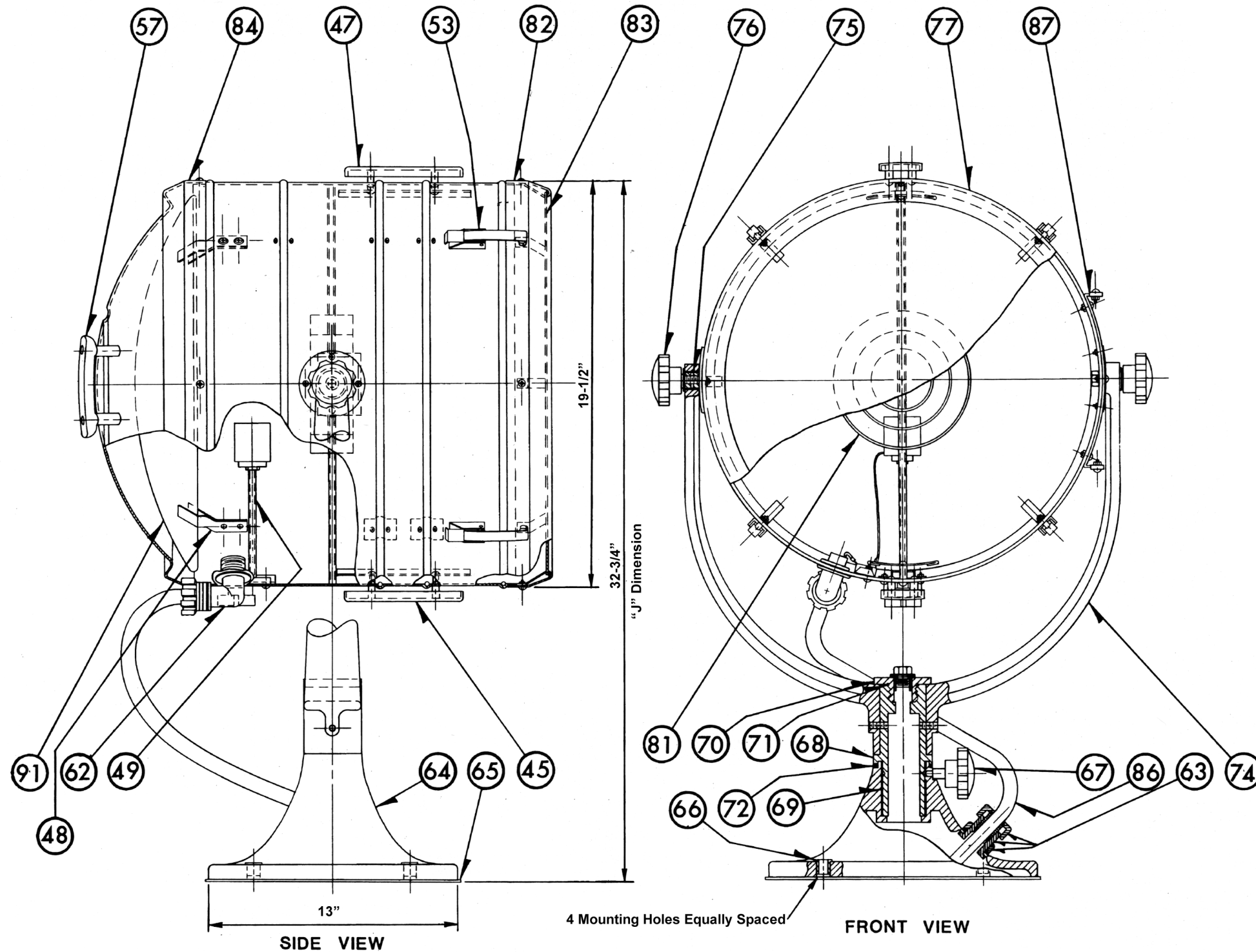


PERKO®



Bill of Material

Item	Spare Part	Description	Qty.
45		Lower Vent Cover	1
47		Upper Vent Cover	1
48		Reflector Clips	4
49		Focus Device Assy w/ Socket & Std. (See Note 1)	1
53	190100099A	Latch, Front Door	4
57		Control Handles	2
62		Strain Relief (90)	1
63		Strain Relief (Straight)	1
64		Base	1
65		Base Gasket	1
66		Bolt Insulator	4
67		Horizontal Lock Knob	1
68		Hub	1
69		Nyliner Split Bushing	1
70	1902SPR070	Cap Assembly	1
71	1902SPR071	O-Ring (Hub Seal)	1
72		Base Washer	1
74		Fork	1
75	1902SPR075	Fork Pivot Nyliner Split Bushing	4
76		Vertical Lock Knob	2
77		Drum Assembly	1
81		Anti-Halo Ring Assembly	1
82	1936000WHT	Front Door w/ Glass Assembly	1
83		Front Glass	1
84	1932/1933	Rear Cover WI Screws	1
86		Electrical Cord Assembly	1
87		Hinge, Front Door	1
91	0890004	Reflector	1
78		Fork Assy Incl. Item No's: 74-75-76 and Hardware	1
79		Fork & Hub Assy. Incl. Item No's: 68-69-70-71-72-74-75-76 and Hdw	1
80		Hub Assembly Includes Item No's: 68-69-70-71-72	1

Notes

- Note 1** All Bulbs using the same socket and stand Fig. No. (last column below) are field interchangeable w/o modification, otherwise a change in bulb type must be accompanied by a new corresponding socket and stand.
- Note 2**

Inclination	Declination	Rating
90°	90°	IP54
- Note 3** Searchlights with special pedestal heights and/or special control lengths can be made to order. The special "J" dimension and/or control length dimensions ("E") must accompany the inquiry.

Bulb Fig. No.	Bulb Wattage	Bulb Voltage	Approximate Maximum B.C.P.	Horz. Beam Spread	Vert. Beam Spread	Life Hours	Lamp Code	Socket Type	Socket Fig. No.	Socket & Stand Fig. No.
0806	500	32	3,520,000	3.5	3.7	50	DLT	Med. Screw	0894	0872004
0837	750	120	2,076,000	3.6	4.2	200	DOY	Med. Pref.	0895	0873004
0845	750	120	2,871,000	3.6	5.4	200	BIP	Med. Pref.	0895	0873004
0807	500	120	3,191,000	3.5	4.0	25	CZX	Med. Pref.	0895	0873004
0859	2000	120	3,633,000	9.4	5.9	250	BVW	Mog. Pref.	0893	1931
0847	1000	120	3,659,000	4.5	5.4	200	BVV	Mog. Pref.	0893	1931
0809	750	120	4,454,000	3.6	4.5	25	DPJ	Med. Pref.	0895	0873004
0844	500	120	4,212,000	3.0	5.4	150	BTM	Med. Pref.	0895	0873004
0846	1000	120	4,601,000	4.5	5.4	200	BTR	Med. Pref.	0895	0873004
0848	1500	120	5,596,000	5.9	5.7	100	OIA	Mog. Pref.	0893	1930
0810	1000	120	5,622,000	3.6	4.2	25	DRS	Med. Pref.	0895	0873004
0840	1500	120	5,968,000	5.6	5.4	25	DTJ	Mog. Pref.	0893	1930
0839	900	120	5,769,000	5.9	5.4	75	BVA	2 Pin Pref.	0866	0880004
0860	1000	230	2,162,000	7.9	6.5	50	DWK	Med. Pref.	0895	0873004

PERKO®

16490 N.W. 13th Avenue Miami, FL 33169-5707

Date: 3-19-83 Drawn By: D. Beutler

Scale: None Revised: 05/11/16

Fig. 1901 SEARCHLIGHT